

TTAF[®] | ARMAGEDDON[®] | 2023 v1
LENS



TODAY TOMORROW AND FOREVER

ARMAGEDDON®

ARMAGEDDON® technology combines with COB (Chips On Board) LED technology in a durable body that can withstand harsh climate and field conditions.

ARMAGEDDON® is a flawlessly designed product with innovative technology that isolates the COB LED from the outside world to provide the ideal environment for operation. The ARMAGEDDON LED technology's combination of mechanics, electricity, and optics® LED technology provides high energy efficiency with compact and robust structure. It minimizes labor costs and saves time with easy installation. ARMAGEDDON® provides a sustainable experience from production to usage with all its features.



ARMAGEDDON® Internal Structure



Engineering Thermoplastic
Outer Cover



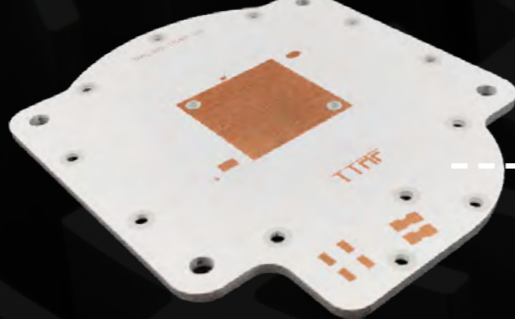
Borosilicate Glass
Optical Structure



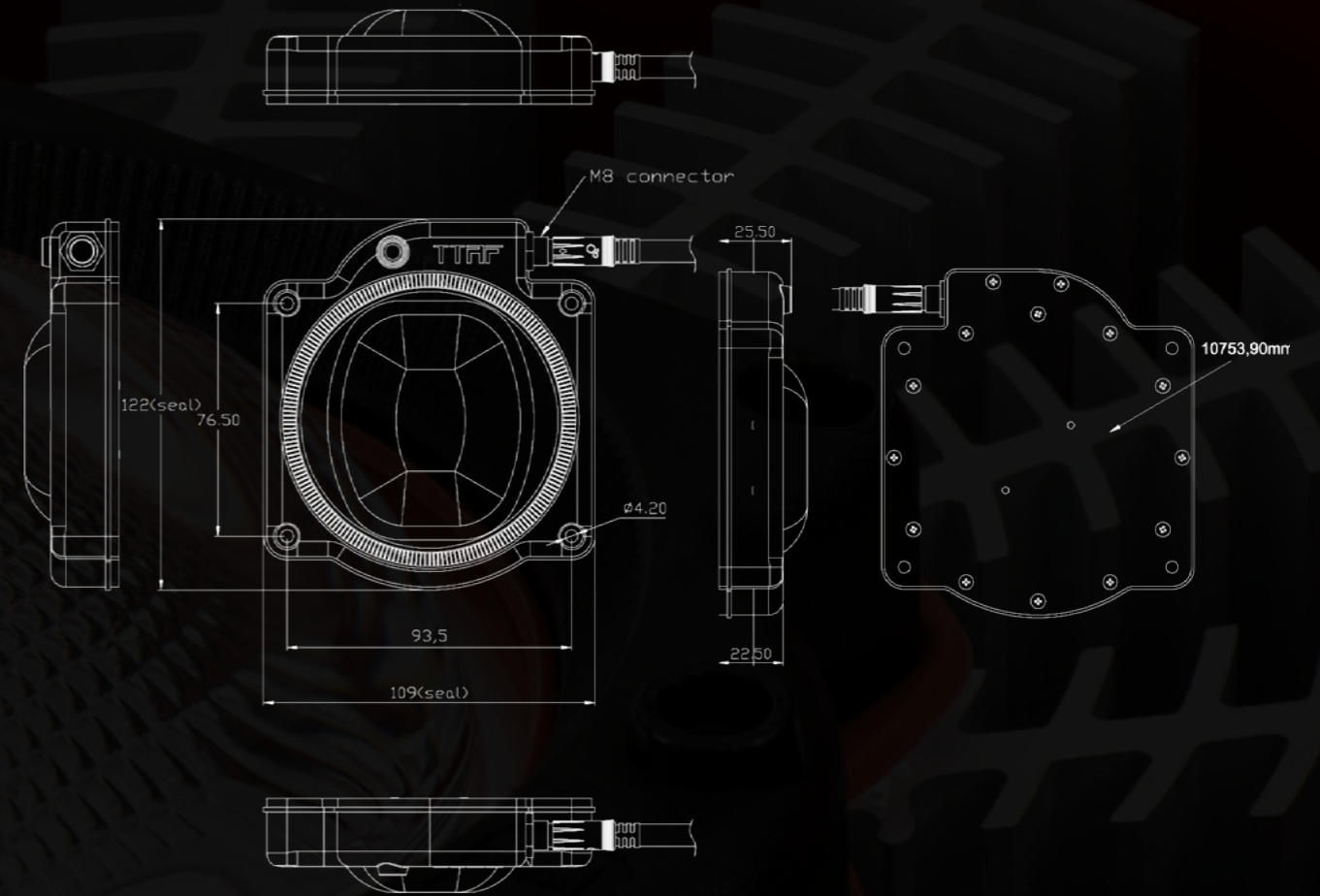
Silicone Sealing Gasket



COB LED



Aluminum PCB



Electrical Insulation Class	Class I, Class II
Operating temperature	-30 °C ~ + 85°C
Source of light	COB LED 28mm x 28mm ~ 17mmx17mm
Light Color	Determines COB Used
Luminous Flux	Determines COB Used
IP Class	IP67
Impact Resistance	Minimum IK08
Body Material	Engineering Thermoplastic
Optic Lens	92mm Borosilicate Glass
Cooler Material	Anodized 5052 Aluminum
Connector	M8 IP67 Industrial Type
Seal Material	Silicone
Body Color	Black or Desired Color
Product Weight	380 gr

ARMAGEDDON® Lens Angles

20° Lens

Beam angle: 24,1° (18 PLANES)
 KESIT A-A ÖLÇEK 1:1
 Technical drawings showing dimensions: $\phi 82$, $\phi 40$, $\phi 36$, $\phi 92$.

45° Lens

Beam angle: 44,5° (18 PLANES)
 KESIT A-A ÖLÇEK 1:1
 Technical drawings showing dimensions: $\phi 80$, $\phi 54$, $\phi 92$.

60° Lens

Beam angle: 50,7° (18 PLANES)
 KESIT A-A ÖLÇEK 1:1
 Technical drawings showing dimensions: $\phi 60$, $\phi 92$.

120° Lens

Beam angle: 111,1° (36 PLANES)
 KESIT A-A ÖLÇEK 1:1
 Technical drawings showing dimensions: $\phi 60$, $\phi 92$.

160° Lens

Technical drawings showing dimensions: 147, 107, 107,03, 87,2, 22,50, 22,50.

Area lighting performance of ESL-20 with Armageddon 90° Lens attached.



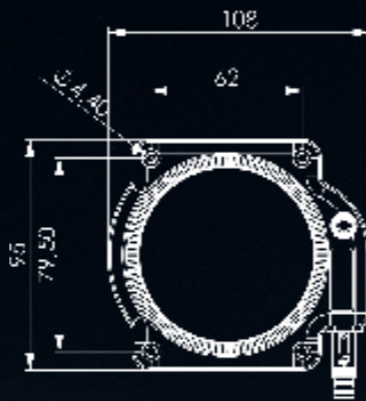
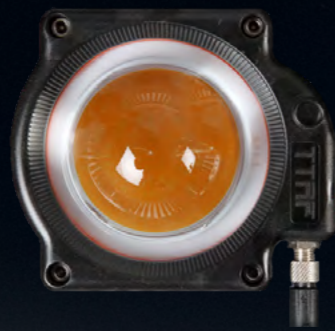
90° Lens

Beam angle: 83,7° (18 PLANES)
 KESIT A-A ÖLÇEK 1:1
 Technical drawings showing dimensions: $\phi 60$, $\phi 92$.

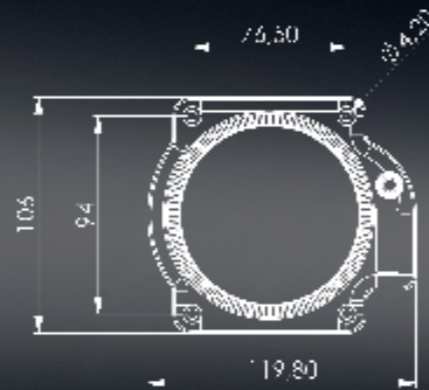
ARMAGEDDON® Case Types

Designed by our team of experts in the field, ARMAGEDDON® with its modern and unique structure, adapts to all environments. The ARMAGEDDON® LED module, with three different casings and six different lens options, offers a solution for every need.

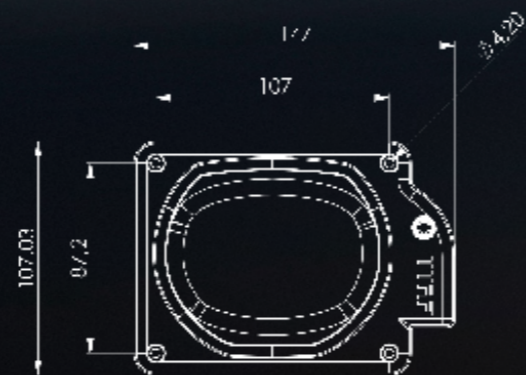
ARMAGEDDON®
78mm



ARMAGEDDON®
92mm



ARMAGEDDON®
160mm

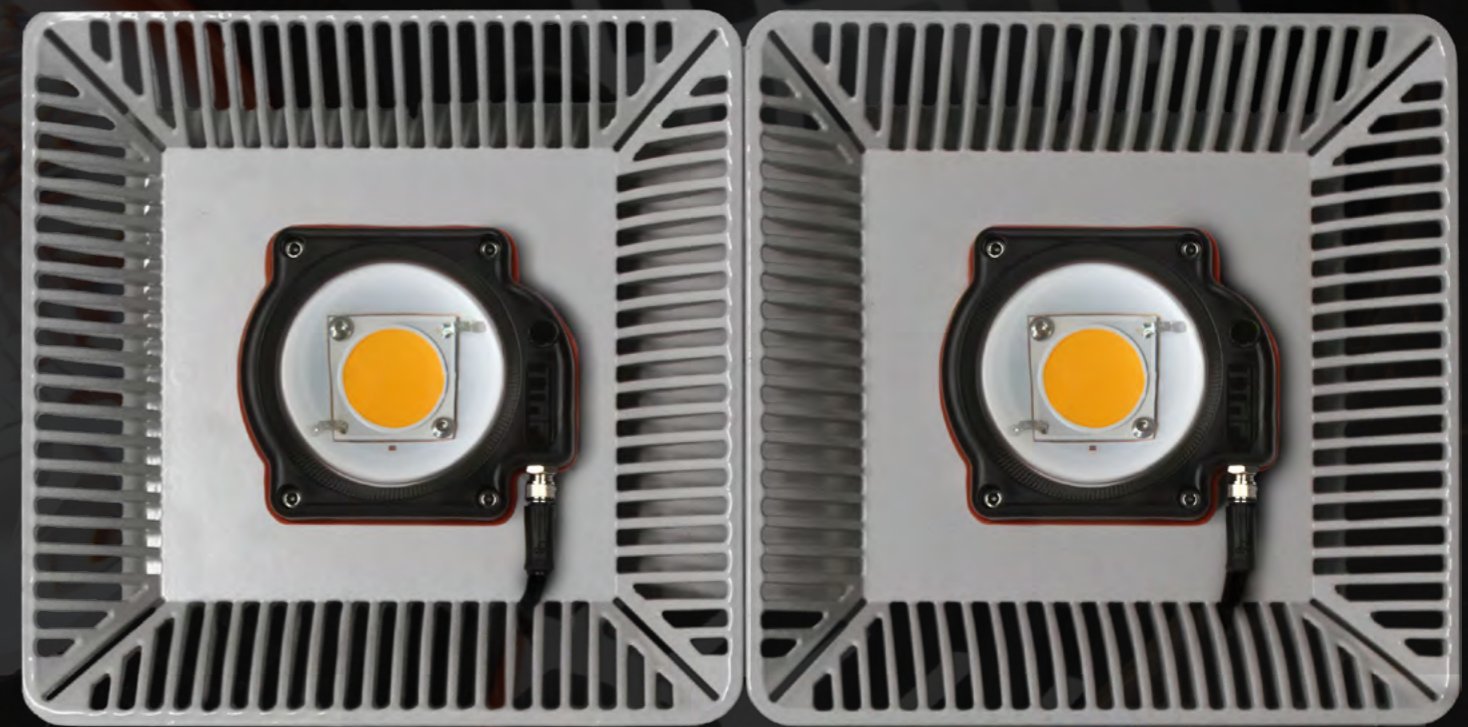


Long range illumination performance of ESL-30 with Armageddon 20° lens attached.

ARMAGEDDON 20° Lens
MOSOTUNYA



ARMAGEDDON 60° Lens
ESL-30



TODAY, TOMORROW
AND
FOREVER...

